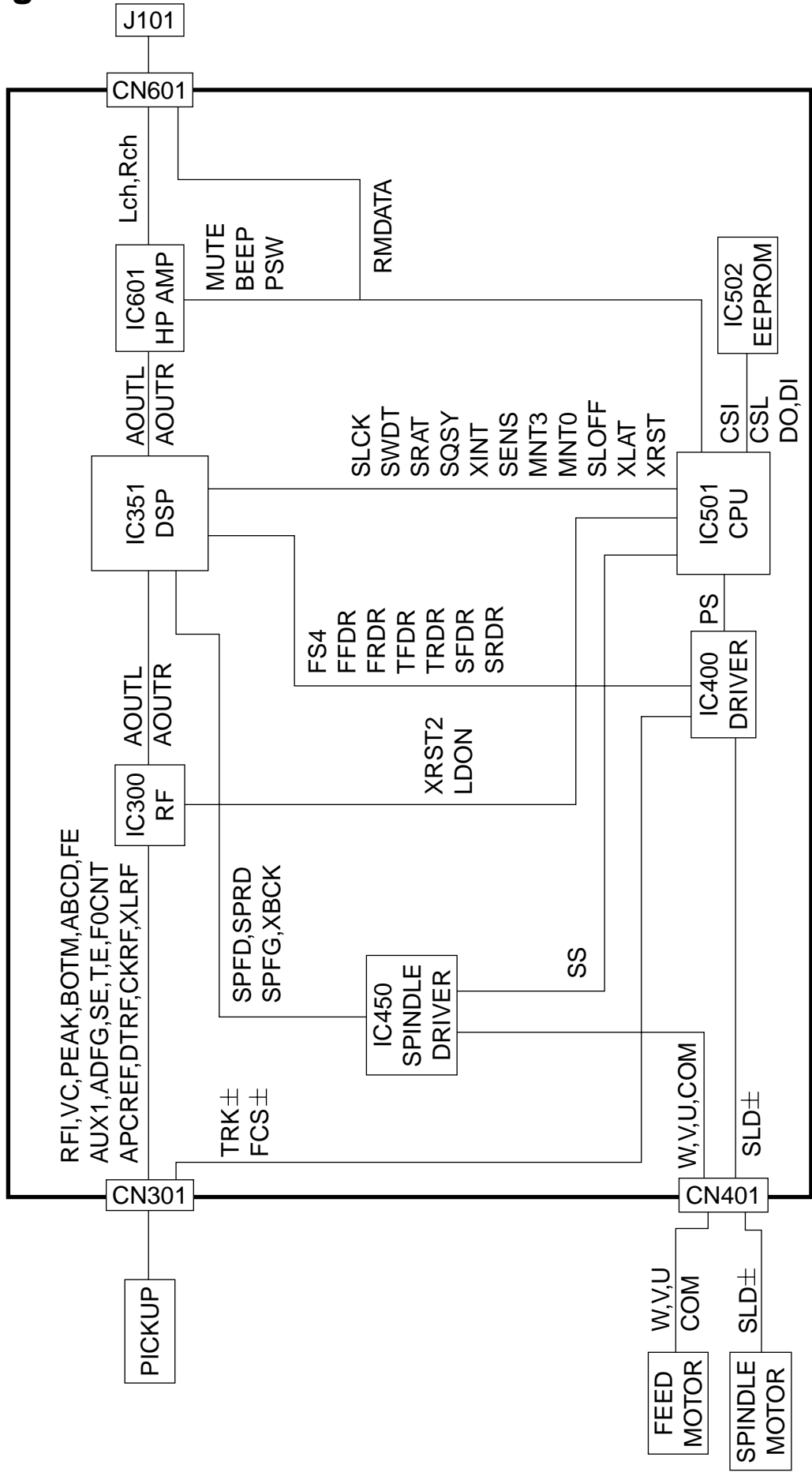
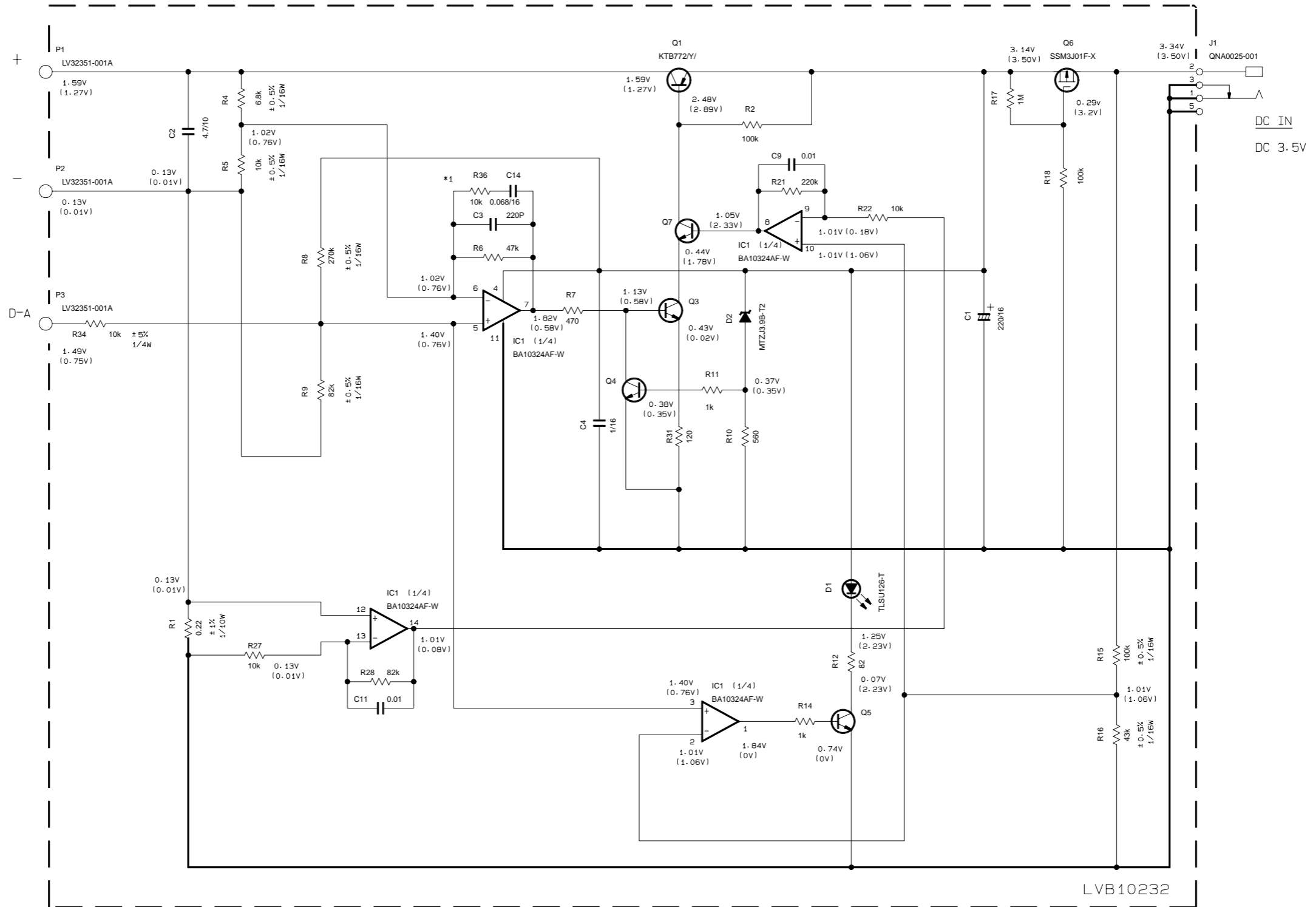


# Block diagram





■ Charger section



NOTES

- VOLTAGES ARE DC-MEASURED WITH A DIGITAL VOLT METER OR OSCILLOSCOPE WITHOUT INPUT SIGNAL.  
 CONDITION 1. --- CHARGE MODE  
 BATTERY: 1.15V  
 CONDITION 2. ( ) --- MD PLAY MODE  
 VOL: 20. ACBASS: ON  
 NO BATTERY

- UNLESS OTHERWISE SPECIFIED.  
 ALL RESISTORS ARE 1/16W ± 5% METAL GLAZE RESISTOR.  
 ALL RESISTANCE VALUES ARE IN OHM(Ω).  
 ALL CAPACITORS ARE CERAMIC CAPACITOR.  
 ALL CAPACITANCE VALUES ARE IN #F(P=pF).  
 ALL E. CAPACITORS ARE SHOWN IN THE FORM  
 OF CAPACITANCE(#F) /RATED VOLTAGE (V).  
 ALL NPN TRANSISTORS ARE 2SC2412K/R/-X

LVB10232

A

B

C

D

E

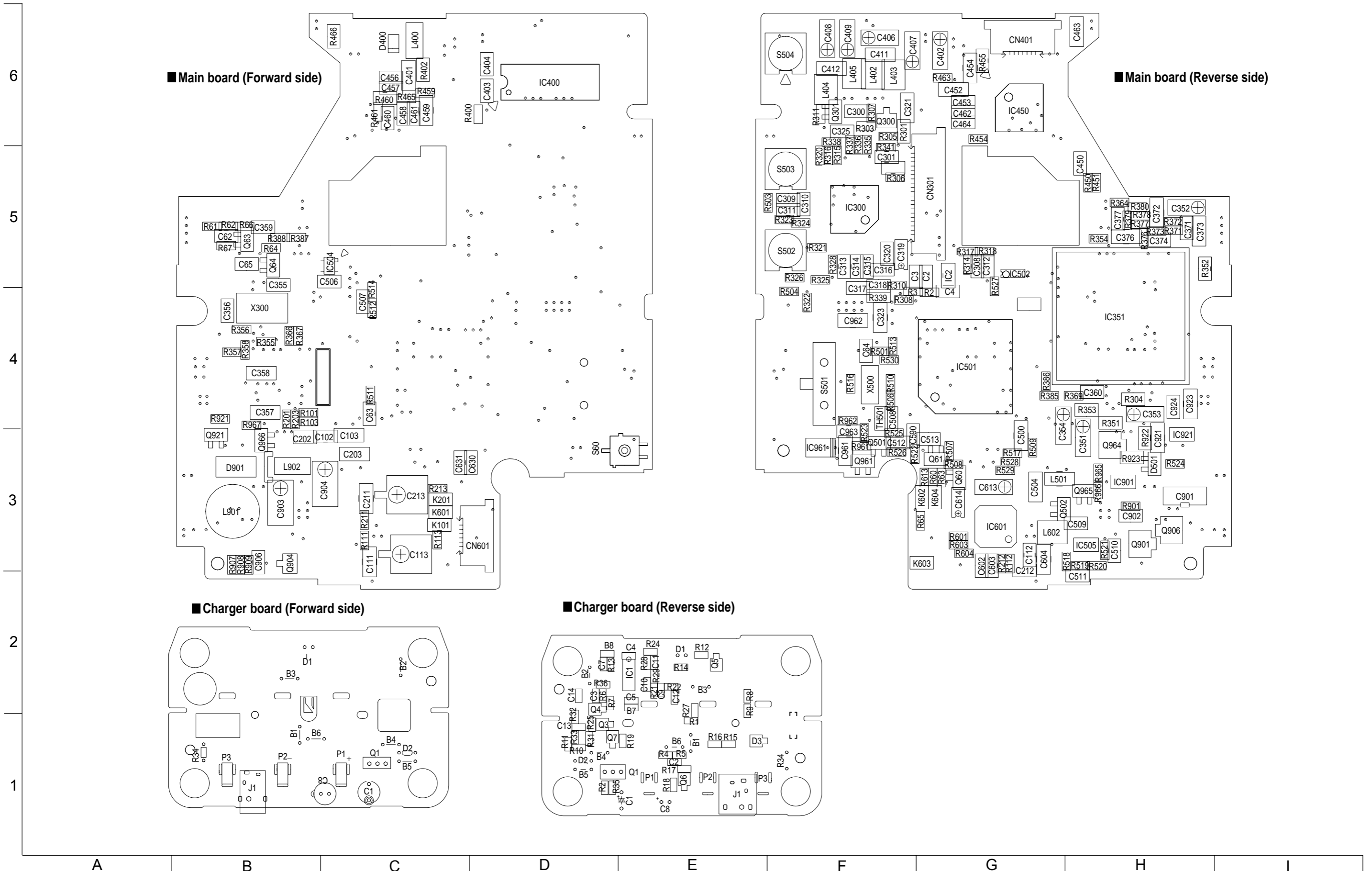
F

G

H

I

# Printed circuit boards



< MEMO >